

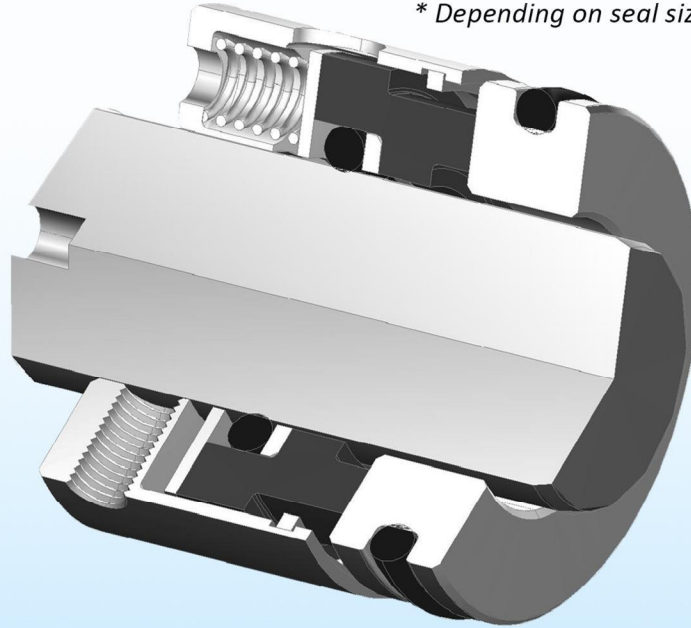
Advantage Seal Type 81



The compact, durable, multi spring, choice for services:

- Up to 5,000 sf/m *
- Up to 350 psig (24 Bar) (balanced) *
- From - 40°F (-40°C) to 500°F (204°C) *

* Depending on seal size and material selection



Why choose the Advantage Seal Type 81?



Compact Design

Compact Design

- Allows use in a wide variety of rotating equipment including Centrifugal Pumps, Mixers and Agitators

Unitized Design

- Rotating face held in by a snap ring
- No-hassle handling
- Easy to install

Ideal for: Industrial Fluids, Caustics, light Hydrocarbons, Corrosives and high pressure liquids and gasses



Positive Drive

Positive Drive

- "X" Set Screws secure seal to shaft preventing slippage



Multiple springs

Multiple Springs

- Provide precise even preloading of the seal face

For use with a variety of mating rings

- O-Ring Mount
- Cup Mount
- DIN



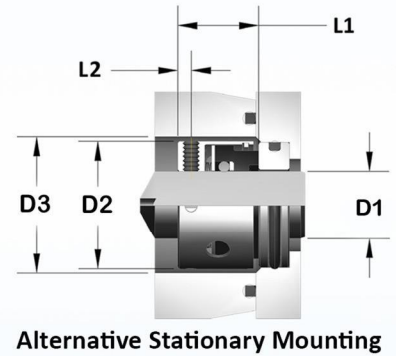
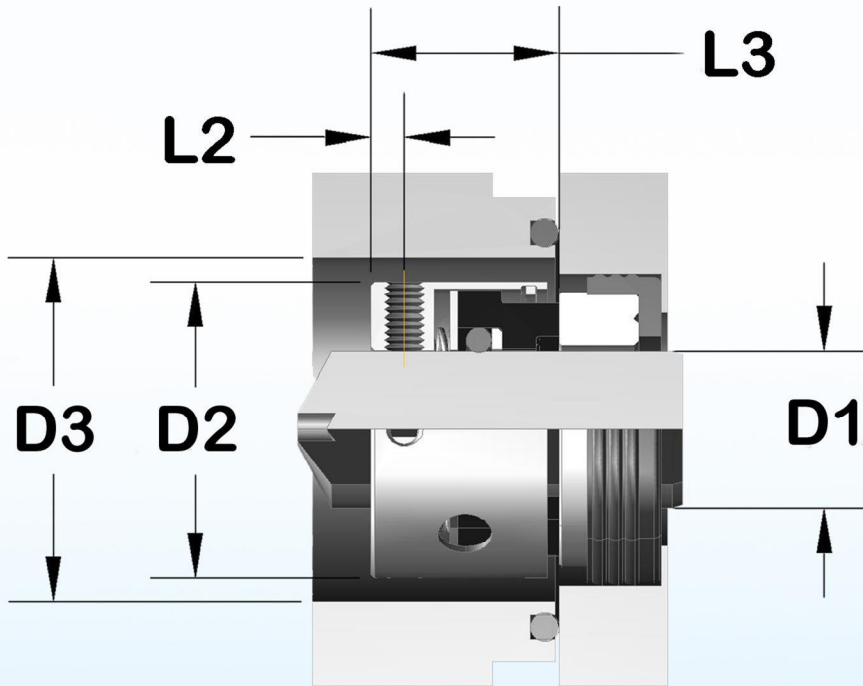
O-Ring Secondary Seal

- Available in Buna, Viton™, Neoprene and Kalrez™

Advantage Seal Type 81 replaces:

- John Crane Type 8-1
- Pac-Seal Type 8
- US Seal Type J

Typical Type 81 Dimensions



STANDARD				
D1	D2	D3	L1	L2
Inches				
0.500	1.031	1.156	0.812	0.156
0.625	1.187	1.312	0.75	0.156
0.750	1.312	1.437	0.875	0.187
0.875	1.437	1.562	0.937	0.187
1.000	1.562	1.750	1.000	0.187
1.125	1.687	1.875	1.062	0.218
1.250	1.875	2.000	1.062	0.187
1.375	2.000	2.125	1.125	0.187
1.500	2.125	2.250	1.125	0.187
1.625	2.375	2.500	1.375	1.000
1.750	2.500	2.625	1.375	0.281
1.875	2.625	2.750	1.375	0.281
2.000	2.750	2.875	1.375	0.281
2.125	3.000	3.125	1.687	0.281
2.250	3.125	3.250	1.687	0.343
2.375	3.250	3.375	1.687	0.343
2.500	3.375	3.500	1.687	0.343
2.625	3.500	3.625	1.687	0.343
2.750	3.625	3.750	1.687	0.343
2.875	3.750	3.875	1.687	0.343
3.000	3.812	4.000	1.687	0.343
3.125	3.937	4.062	1.687	0.343
3.250	4.125	4.250	1.687	0.343
3.375	4.250	4.375	1.687	0.343
3.500	4.375	4.500	1.687	0.343
3.625	4.500	4.625	1.687	0.343
3.750	4.625	4.750	1.687	0.343
3.875	4.750	4.875	1.687	0.343
4.000	4.875	5.000	1.687	0.343

ALTERNATIVE 81T VERSION				
D1	D2	D3	L1	L2
Inches				
0.500	0.937	1.062	0.812	0.156
0.625	1.062	1.187	0.75	0.156
0.750	1.187	1.312	0.875	0.187
0.875	1.312	1.437	0.937	0.187
1.000	1.437	1.562	1.000	0.187
1.125	1.562	1.687	1.062	0.218
1.250	1.687	1.812	1.062	0.187
1.375	1.937	2.062	1.125	0.187
1.500	1.937	2.062	1.125	0.187
1.625	2.250	2.375	1.375	1.000
1.750	2.312	2.437	1.375	0.281
1.875	2.500	2.625	1.375	0.281
2.000	2.625	2.750	1.375	0.281
2.125	2.812	2.937	1.687	0.281
2.250	2.843	2.968	1.687	0.343
2.375	3.000	3.125	1.687	0.343
2.500	3.125	3.250	1.687	0.343
2.625	3.250	3.375	1.687	0.343
2.750	3.375	3.500	1.687	0.343
2.875	3.500	3.625	1.687	0.343
3.000	3.625	3.750	1.687	0.343
3.125	3.750	3.875	1.687	0.343
3.250	3.875	4.000	1.687	0.343
3.375	4.000	4.125	1.687	0.343
3.500	4.125	4.250	1.687	0.343
3.625	4.250	4.375	1.687	0.343
3.750	4.375	4.500	1.687	0.343
3.875	4.500	4.625	1.687	0.343
4.000	4.625	4.750	1.687	0.343

Tolerances and Finishes

- Equipment Shaft ± 0.002 (0.05mm)
- Seat Bore ± 0.002 (0.05mm)
- Maximum End-Play 0.005 (0.13mm)
- Shaft / Sleeve surface finish 35 Ra to 105 Ra