

Advantage Seal Type 202

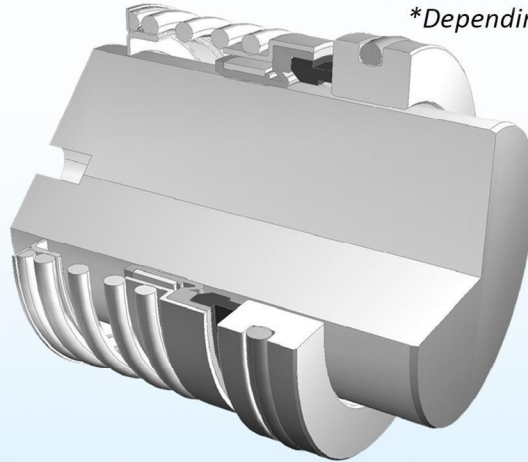


The versatile, self-aligning choice for services:

- Requiring a narrow seal cross-section
- Requiring a more convoluted bellows

- Up to 5,000 sf/m *
- Up to 250 psig (17 Bar) *
- From - 40°F (-40°C) to 400°F (204°C) *

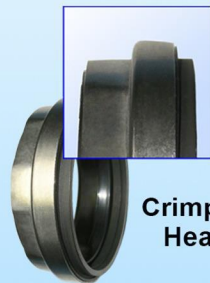
* Depending on seal size and material selection



Why choose the Advantage Seal Type 202?



Solid Hex Drive



Crimped Head



Convoluted Bellows



Complete Seal Assembly

The Solid Hex Drive Advantage

- Standard in every Advantage Seal Type 202
- Locking, Positive Engagement
- Drive Band cannot be installed improperly
- Eliminates damage to bellows
- Eliminates drive failure
- Competitor's stamped designs:
 - Offer less engagement
 - Sharp stampings can damage the seal bellows
 - Can be installed upside down at the seal manufacturer

Convoluted Bellows

- Greater self-aligning capability
- Adjusts for End-Play, Runout, and Equipment Tolerance issues

Innovative Design

- Fewer seal components than other designs
- Commonality of components with Type 201 seal
- Delivers Performance and Value

Crimped Head

- Greatly simplifies installation
- No adhesive on seal face
- Prevents penetration of solids into the seal head
- Cushions rotary seal face
 - No metal to seal face contact

Single Coil Spring

- Helps prevent clogging

For use with a variety of mating rings

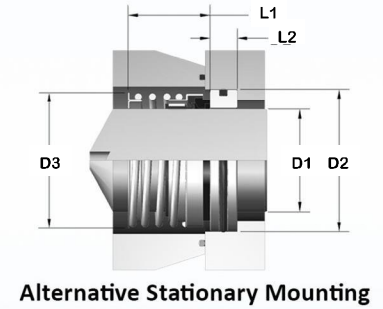
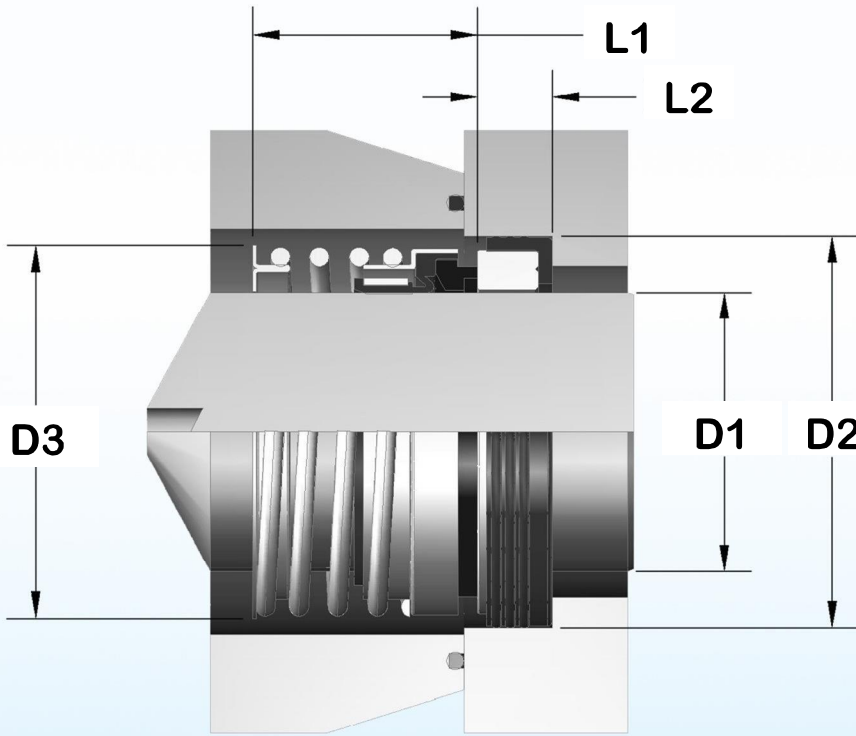
- O-Ring Mount
- Cup Mount
- DIN

Non-Fretting design

Advantage Seal Type 202 replaces:

- John Crane Type 2, Type 21, Type 2100
- Sealol Type 43 CE Short, 43 BE
- Pac-Seal Type 52, Type 21
- US Seal Type D
- Burgmann Type M2, M3, M377

Typical Type 202 Dimensions



US Standard				
D1	D2	D3	L1	L2
Inches				
0.750	1.375	1.242	0.875	0.406
0.875	1.500	1.367	0.937	0.406
1.000	1.625	1.500	1.000	0.437
1.125	1.750	1.625	1.062	0.437
1.250	1.875	1.742	1.062	0.437
1.375	2.000	1.875	1.125	0.437
1.500	2.125	2.150	1.125	0.437
1.625	2.375	2.250	1.375	0.500
1.750	2.500	2.375	1.375	0.500
1.875	2.625	2.500	1.500	0.500
2.000	2.750	2.625	1.500	0.500
2.125	3.000	2.884	1.687	0.562
2.250	3.125	2.884	1.687	0.562
2.375	3.250	3.062	1.812	0.562
2.500	3.375	3.232	1.812	0.562
2.625	3.375	3.375	1.937	0.625
2.750	3.500	3.500	1.937	0.625
2.875	3.750	3.625	2.062	0.625
3.000	3.875	3.750	2.062	0.625
3.125	4.125	4.000	2.187	0.781
3.250	4.125	4.125	2.187	0.781
3.375	4.250	4.250	2.187	0.781
3.500	4.375	4.375	2.187	0.781
3.625	4.750	4.500	2.312	0.781
3.750	4.750	4.625	2.312	0.812
3.875	4.875	4.750	2.312	0.812
4.000	5.000	4.875	2.312	0.875

Metric DIN Standard				
D1	D2	D3	L1	L2
Millimeters				
18.00	32.99	31.55	26.59	10.49
20.00	34.98	34.72	26.59	10.49
22.00	37.01	34.72	26.59	10.49
24.00	38.99	38.10	28.98	10.49
25.00	40.01	38.10	28.98	10.49
28.00	42.98	41.27	31.75	10.49
30.00	45.01	41.27	31.75	10.49
32.00	48.01	44.25	31.75	10.49
33.00	48.01	44.25	31.75	10.49
35.00	50.01	47.62	31.75	10.49
38.00	56.01	54.61	33.32	11.51
40.00	57.99	57.15	33.32	11.51
43.00	61.01	57.15	33.32	11.51
45.00	62.99	60.32	33.32	11.51
48.00	65.99	63.50	33.32	11.51
50.00	70.00	66.65	35.71	13.49
53.00	73.00	73.25	35.71	13.49
55.00	74.98	73.25	35.71	13.49
58.00	78.00	73.25	38.48	13.49
60.00	80.01	77.78	38.48	13.49
63.00	83.01	82.09	38.48	13.49
65.00	84.99	85.73	38.48	13.49
68.00	89.99	88.90	38.48	15.49
70.00	92.00	88.90	45.49	15.49
75.00	96.82	95.25	45.49	15.49
80.00	105.13	101.60	45.49	15.49

Tolerances and Finishes

- Equipment Shaft ± 0.002 (0.05mm)
- Seat Bore ± 0.002 (0.05mm)
- Maximum End-Play 0.005 (0.13mm)
- Shaft / Sleeve surface finish 35 Ra to 105 Ra