

Advantage Seal Type 201

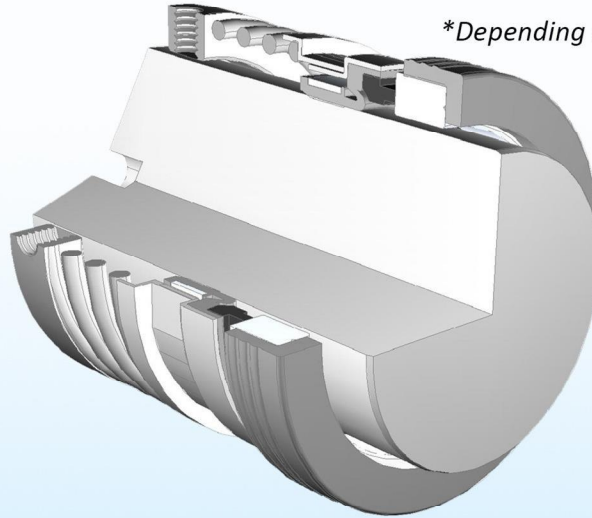


The versatile, self-aligning choice for services:

- Requiring a narrow seal cross-section
- Requiring a more convoluted bellows

- Up to 5,000 sf/m *
- Up to 250 psig (17 Bar) *
- From - 40°F (-40°C) to 400°F (204°C) *

*Depending on seal size and material selection



Why choose the Advantage Seal Type 201?



Solid Hex Drive



Crimped Head



Convoluted Bellows



Complete Seal Assembly

The Solid Hex Drive Advantage

- Standard in every Advantage Seal Type 201
- Locking, Positive Engagement
- Drive Band cannot be installed improperly
- Eliminates damage to below
- Eliminates drive failure
- Competitor's stamped designs:
 - Offer less engagement
 - Sharp stampings can damage the seal bellows
 - Can be installed upside down at the seal manufacturer

Convoluted Bellows

- Greater self-aligning capability
- Adjusts for End-Play, Runout, and Equipment Tolerance issues

Innovative Design

- Fewer seal components than other designs
- Commonality of components with Type 202 seal
- Delivers Performance and Value

Crimped Head

- Greatly simplifies installation
- No adhesive on seal face
- Prevents penetration of solids into the seal head
- Cushions rotary seal face
 - No metal to seal face contact

Single Coil Spring

- Helps prevent clogging

For use with a variety of mating rings

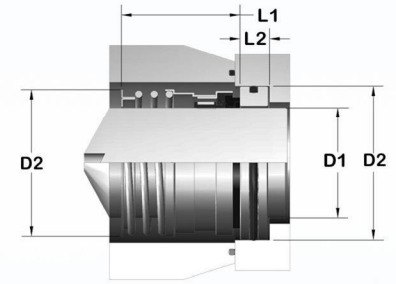
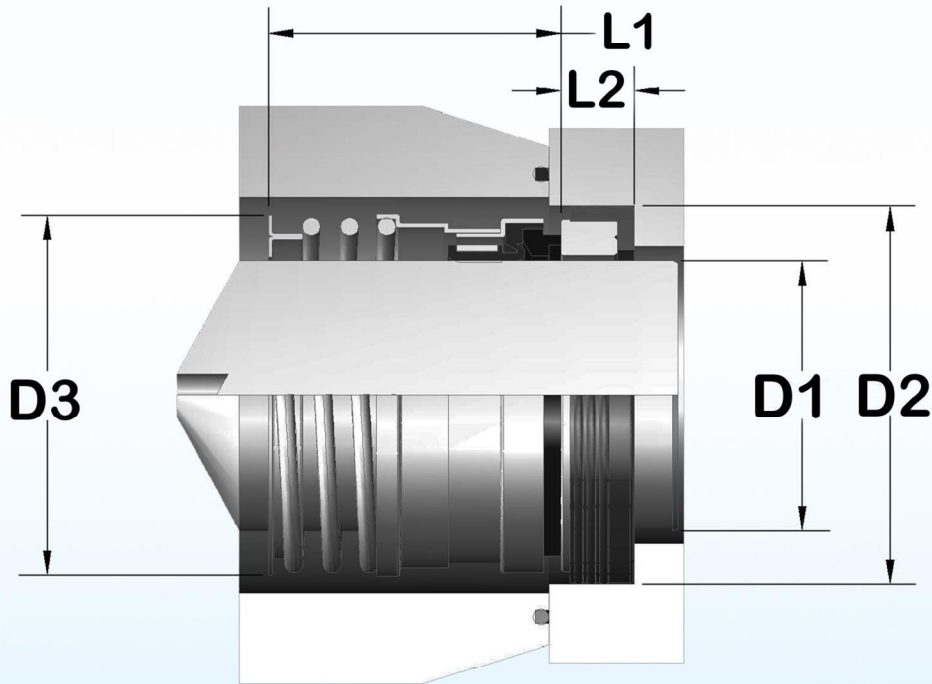
- O-Ring Mount
- Cup Mount
- DIN

Non-Fretting design

Advantage Seal Type 201 replaces:

- John Crane Type 1, Type 21, Type 2100
- Sealol Type 43 CE Long
- Pac-Seal Type 51, Type 21
- US Seal Type E

Typical Type 201 Dimensions



Alternative Stationary Mounting

D1		D2		D3		L1		L2	
Inches	Millimeter	Inches	Millimeter	Inches	Millimeter	Inches	Millimeter	Inches	Millimeter
0.750	19.05	1.375	34.93	1.242	31.55	1.312	33.32	0.406	10.31
0.875	22.23	1.500	38.10	1.367	34.72	1.375	34.93	0.406	10.31
1.000	25.40	1.625	41.28	1.500	38.10	1.562	39.67	0.437	11.10
1.125	28.58	1.750	44.45	1.625	41.28	1.625	41.28	0.437	11.10
1.250	31.75	1.875	47.63	1.742	44.25	1.625	41.28	0.437	11.10
1.375	34.93	2.000	50.80	1.875	47.63	1.687	42.85	0.437	11.10
1.500	38.10	2.125	53.98	2.150	54.61	1.687	42.85	0.437	11.10
1.625	41.28	2.375	60.33	2.250	57.15	2.000	50.80	0.500	12.70
1.750	44.45	2.500	63.50	2.375	60.33	2.000	50.80	0.500	12.70
1.875	47.63	2.625	66.68	2.500	63.50	2.125	53.98	0.500	12.70
2.000	50.80	2.750	69.85	2.625	66.68	2.125	53.98	0.500	12.70
2.125	53.98	3.000	76.20	2.884	73.25	2.375	60.33	0.562	14.27
2.250	57.15	3.125	79.38	2.884	73.25	2.375	60.33	0.562	14.27
2.375	60.33	3.250	82.55	3.062	77.77	2.500	63.50	0.562	14.27
2.500	63.50	3.375	85.73	3.232	82.09	2.500	63.50	0.562	14.27
2.625	66.68	3.375	85.73	3.375	85.73	2.750	69.85	0.625	15.88
2.750	69.85	3.500	88.90	3.500	88.90	2.750	69.85	0.625	15.88
2.875	73.03	3.750	95.25	3.625	92.08	2.875	73.03	0.625	15.88
3.000	76.20	3.875	98.43	3.750	95.25	2.875	73.03	0.625	15.88
3.125	79.38	4.125	104.78	4.000	101.60	3.125	79.38	0.781	19.84
3.250	82.55	4.125	104.78	4.125	104.78	3.125	79.38	0.781	19.84
3.375	85.73	4.250	107.95	4.250	107.95	3.125	79.38	0.781	19.84
3.500	88.90	4.375	111.13	4.375	111.13	3.125	79.38	0.781	19.84
3.625	92.08	4.750	120.65	4.500	114.30	3.250	82.55	0.781	19.84
3.750	95.25	4.750	120.65	4.625	117.48	3.250	82.55	0.812	20.62
3.875	98.43	4.875	123.83	4.750	120.65	3.375	85.73	0.812	20.62
4.000	101.60	5.000	127.00	4.875	123.83	3.375	85.73	0.875	22.23

Tolerances and Finishes

- Equipment Shaft ± 0.002 (0.05mm)
- Seat Bore ± 0.002 (0.05mm)
- Maximum End-Play 0.005 (0.13mm)
- Shaft / Sleeve surface finish 35 Ra to 105 Ra